

Ports: 3/8" FNPT



FEATURES:

- Nominal Flowrate 2 GPM
- Max. RPM: 2400
- Max. PSI: 100
- Suction lift to 3 feet*
- Max Viscosity 500 SSU at 1725 RPM
- Housing Gasket – Fluoroelastomer (FKM) O-Ring
- Construction – Cast Iron Housing, Steel Gears, Steel Shafts
- Shaft Seals – Fluoroelastomer (FKM) Mechanical with carbon and ceramic wear faces
- Shaft Bearing Journals – Cast Iron
- Temperature range: 32° F to 280° F.
- Maximum working pressure: 100 PSI
- Internal Bypass Relief Valve
- Rotation – Factory configured for CCWLE Motors***

DESCRIPTION:

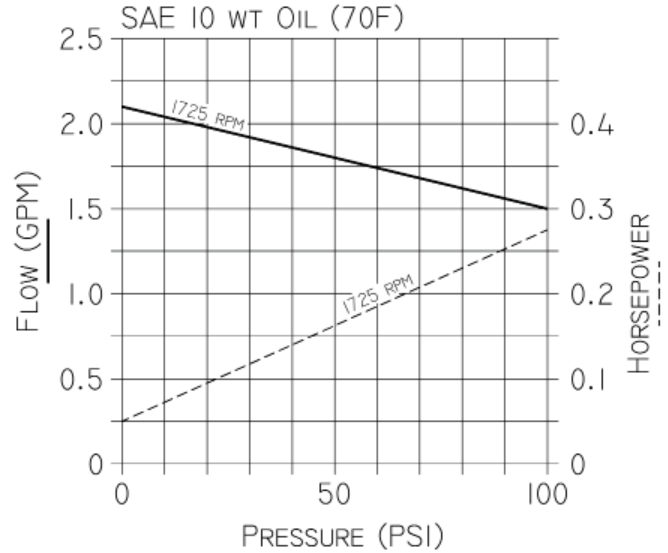
These self-priming, positive displacement, carbonator style external rotary gear pumps are ideal for oil based fluids in a wide range of light-duty commercial, industrial, marine, and agricultural applications where compact size is needed.

* Suction lift may be reduced based on fluid viscosity ; requires wetted gears and primed pump condition

** To change shaft rotation direction and relief valve orientation, rotate cover assembly 180 degrees

*** The relief valve is not intended to be a metering or flow control device. Overheating can occur within 5-10 minutes if the discharge line is completely shut off for extended periods. Factory pressure setting is 50 PSIG. To increase pressure, turn adjusting screw clockwise.

PERFORMANCE:



Uses: For use with particulate free and non-abrasive high lubricating oil- based fluids compatible with iron and steel. Not to be used with water-based fluids

MOUNTING AND DRIVE ARRANGEMENT:

Intended for close-coupled mounting to NEMA 48 Carbonator Mount footed motors using clamp and T coupling. Pump can be mounted in any orientation relative to the motor base. For vertical installations, mount pump below motor. Complete pump / motor units are available.

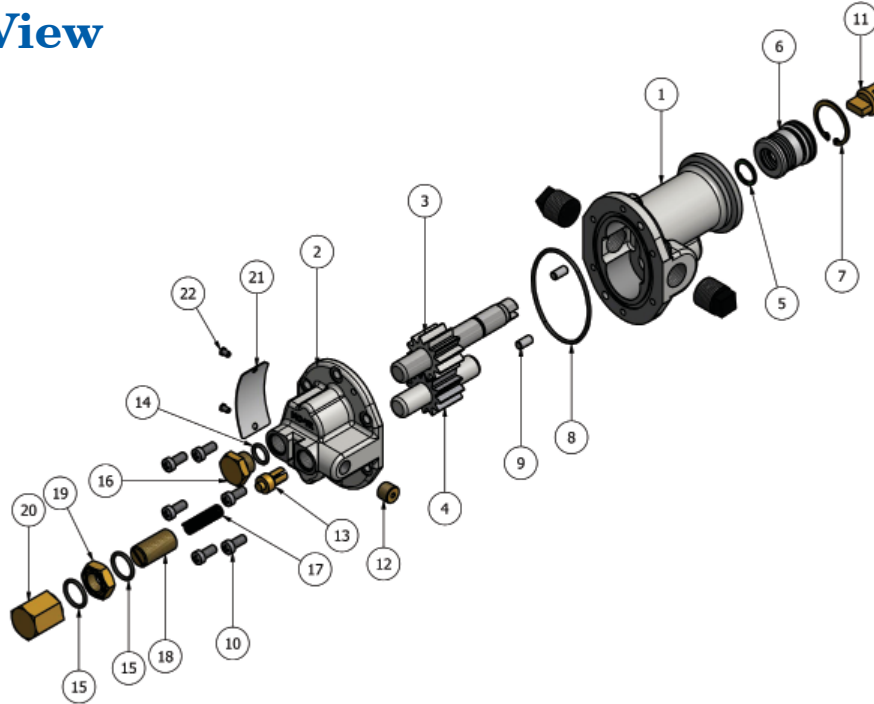
CARBONATOR STYLE MOTORS

Code	HP	Encl	Voltage	Frequency	Speed (RPM)	Thermal Overload	Part #
C33	1/4	DP	115/230	60/50 HZ	1725/1425	Auto	9630
C34	1/4	DP	115	60 HZ	1725	Auto	9873
C83	1/4	TE	12/24V	DC	1200/2400	None	3573
F02	1/3	DP	115/230	60/50 HZ	1725/1425	Auto	8876
F06	1/3	DP	115	60HZ	1725	Auto	9403
F12	1/3	DP	230	60/50 HZ	1725/1425	Auto	8520
J01	1/2	DP	115	60 HZ	1725	Manual Reset	2240
J39	1/2	DP	115	60 HZ	1725	Auto	3150
M40	3/4	DP	155/230	60 HZ	1725	Auto	3151

WARNING: Do not use to pump flammable or explosive fluids such as gasoline, fuel oil, kerosene, etc. Do not use in flammable and/or explosive atmospheres.

Cast Iron Light Duty Carbonator Motor Mounted Rotary External Gear Pumps C61K53LL

Exploded View



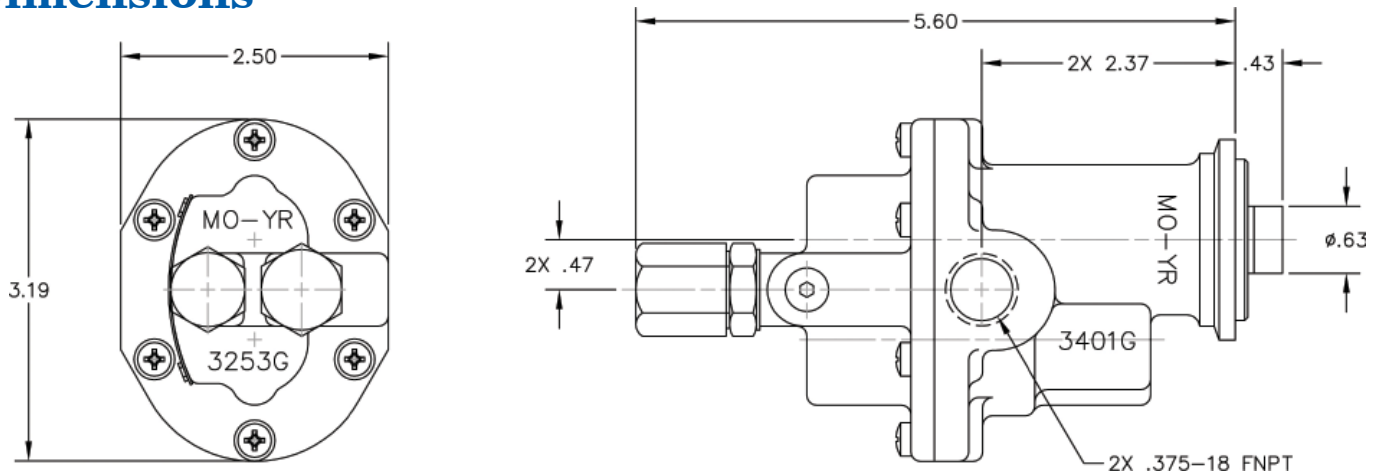
Parts List

	1	2	3*	4*	5*	6*	7	8*	9	10	11	12
	Body	Cover	Drive Shaft/ Gear Assy	Idle Shaft/ Gear Assy	Retaining Ring	Mech. Seal	Retaining Ring	O-Ring	Dowel Pin	Screw	Coupler	Pipe Plug
Model	Qty. 1	Qty. 1	Qty. 1	Qty. 1	Qty. 1	Qty. 1	Qty. 1	Qty. 1	Qty. 2	Qty. 6	Qty. 1	Qty. 1
C61K53LL	3401GC4N	3253GN5B-1	33364	33284	5373	32585	7639	9797-033	8885	5385	2353	6052

	13	14	15	16	17	18	19	20	21	22	23**	Repair Kit
	Poppet	O-Ring	O-Ring	Plug Nut	Spring	Adjust. Screw	Locknut	Bypass Nut	Tag	Screw, Tag	V-Band Clamp	
Model	Qty. 1	Qty. 1	Qty. 2	Qty. 1	Qty. 1	Qty. 1	Qty. 2	Qty. 1	Qty. 1	Qty. 2	Qty. 2	
C61K53LL	7640	9797-012	9797-015	5775R	5806	5776	5774D	5767	9344	9345	8840	12442

* Repair kit contains these items. **Items not depicted in assembly drawing.

Dimensions



OBERDORFER PUMPS

A Gardner Denver Product

5900 Firestone Drive, Syracuse, NY 13206

Phone: (800) 448-1668; (315) 437-0361 • Fax: (315) 463-9561

Visit www.oberdorfer-pumps.com to find in-depth descriptions of the world's leading high-quality, dependable pumps.

Due to ongoing product improvements, data shown here is subject to change without notice. Contact Oberdorfer Pumps for latest specifications.

C61K53LL.021114