

BRONZE CLOSE COUPLED RUBBER IMPELLER PUMP

PIPE SIZE: 3/8" ID AND 3/4" OD GARDEN HOSE



FEATURES

- Bronze construction - corrosion resistant
- Garden hose threads (external) & pipe threads (internal) port connections
- Impeller & cam easily replaced
- Large vent openings separate pump & motor
- Motor shafts are stainless steel
- Shaft slinger protects motor bearings
- Convenient carrying handle
- Sealed and grounded 3-conductor plug-in cord
- Meets U.S. Coast Guard Ignition Protection Requirements, 33CFR 183.410(a)

DRIVE AND ROTATION

Motor drive is clockwise facing pump end. Liquid flow direction is right to left facing pump end - see dimension drawing on reverse side. Motor is 1/6 HP, 1725 RPM, 115VAC. O.D.P.

DO NOT RUN DRY

Rubber impellers generate high rubbing friction unless lubricated by liquid pumped. Lack of liquid will cause impeller to burn up. Standard impeller in Neoprene (04), optional Buna impeller (05) available.

LIQUIDS AND TEMPERATURE

Liquids compatible with neoprene can be pumped including fresh and salt water solutions. Do not pump severe solvents or acids. When possible, flush pump with fresh water after each usage.

CAPACITY Water at 60°F

FT. HD.	0	10	20	30	40	50	60
PSI	0	4.3	8.7	13.0	17.3	21.7	26.0
G.P.M.	6 1/2	6 1/4	6	5 1/2	4 3/4	4	2 3/4

Extremes of cold and heat will affect impeller life. Limits of 40° to 140°F should be observed. Do not allow liquid in pump to freeze. Drain pump by loosening cover screws. Use methyl alcohol based anti-freeze compounds such as Zerex, Shell Zone, Pyro Permanent, Permaguard, Dowgard.

SUCTION LIFT

Suction lift to 15 ft. for model N211D is possible when impeller is wet. Suction lines must be air tight in order for pump to self prime. Always use foot valve at beginning of suction line to keep suction line full and impeller wet.

IMPELLER REPLACEMENT

The impeller must be replaced if it is worn out or has been damaged by debris or by running the pump dry. Symptoms of a defective impeller are low pumping pressure and low flow.

To replace the impeller remove screws and cover. Pull out the impeller with nose pliers or two screwdrivers. Be careful not to dent the pumping chamber with these tools. When inserting new impeller, line up key slot in impeller with the key in the shaft. Use oil on shaft and avoid forcing the impeller onto the shaft.

The impeller should also be removed for storage periods to prevent the blades from taking a permanent set.

SEAL REPLACEMENT

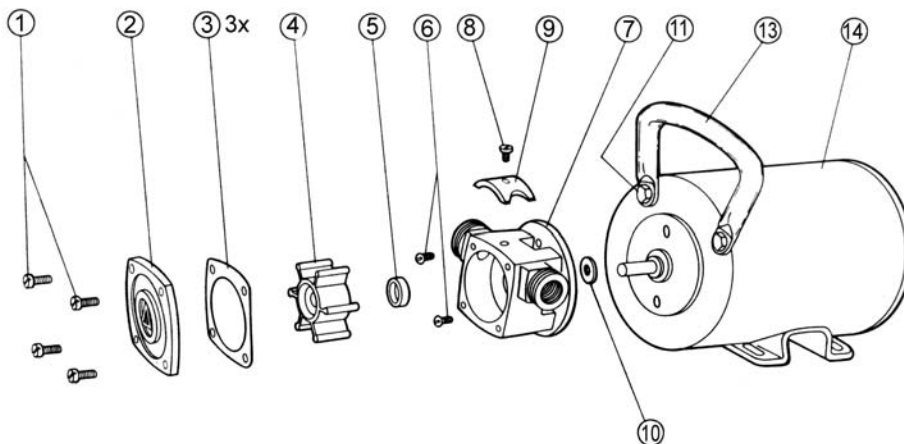
If water drips from the area where the shaft exits the pump, the seal is defective and must be replaced. While the shaft slinger barrier seal provides a first line of defense, prolonged running of the pump with a leaky seal can destroy the ball bearings of the electric motor.

For seal replacement, the pump must be removed from the motor and disassembled in order to gain access to the seal area. The Buna seal must be pushed out of the press-fitted position and a new lip seal pressed into place, using a sealant on the outside of the lip seal housing.

Refer to exploded view drawings for seal location and part numbers for ordering purposes.

BRONZE CLOSE COUPLED RUBBER IMPELLER PUMP

EXPLODED VIEW AND PARTS LIST

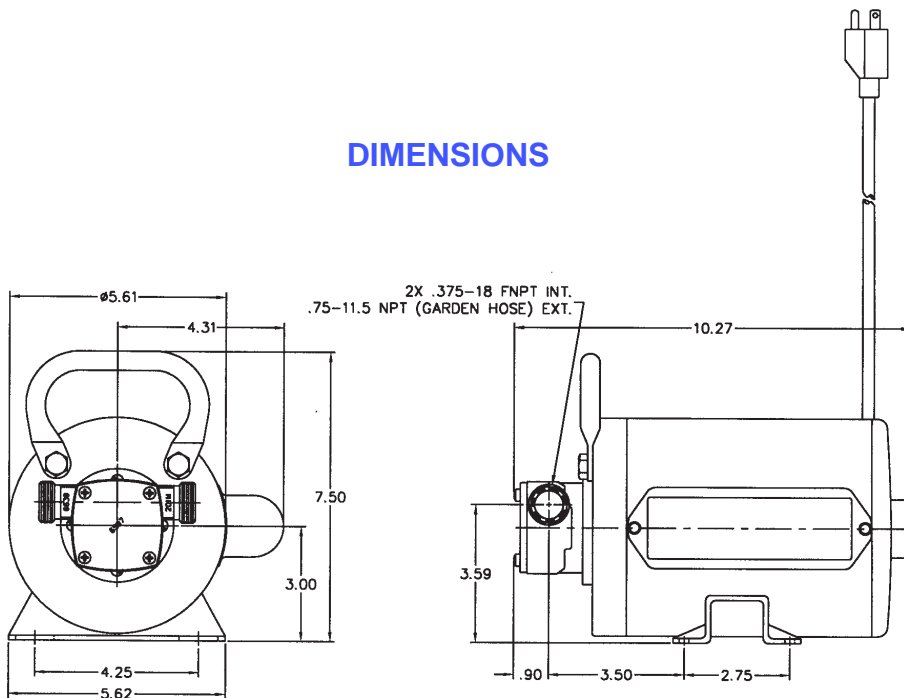


Pump No.	1	2	3	4	4a*#	5	6	7	8	9	10	11	12 [#]	13	14	Repair Kit ¹
	Screw	Cover	Gasket	Impeller	Impeller Bushing	Lip Seal	Screw	Body	Cam Screw	Cam	Slinger	Screw	Lock Washer	Handle	Motor	
	4 Reqd	1 Reqd	3 Reqd	1 Reqd	1 Reqd	1 Reqd	4 Reqd	1 Reqd	1 Reqd	1 Reqd	1 Reqd	2 Reqd	4 Reqd	1 Reqd	1 Reqd	
211D-04	5385	6597	7547	7482	N/A	6647	7424	6639	7300-41	6592	6757	---	---	---	---	10933
211D-04D28	5385	6597	7547	7482	N/A	6647	7424	6639	7300-41	6592	6757	5411	5656	7766	8278-01	10933
211D-05D28	5385	6597	7547	8514	7487	6647	7424	6639	7300-41	6592	6757	5411	5656	7766	8278-01	12221

* Repair Kit contains items 3, 4, 4a and 5.

[#] Items 4a and 12 not shown in illustration.

DIMENSIONS



211 D-05, Denotes Buna Impeller P/N 8514 with 7487 bushing.
Specifications are subject to change without notice. All motor dimensions are subject to variations among motor manufacturers.