



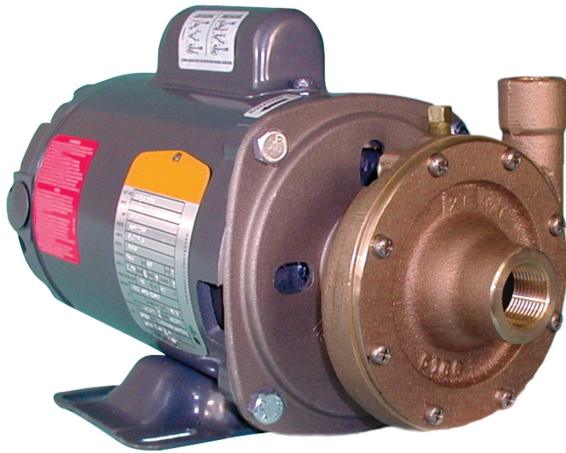
OBERDORFER PUMPS

by Gardner Denver

Bronze Close Coupled Centrifugal Pump

600 Series

**Inlet 3/4" NPT,
Outlet 1/2" NPT**



FEATURES:

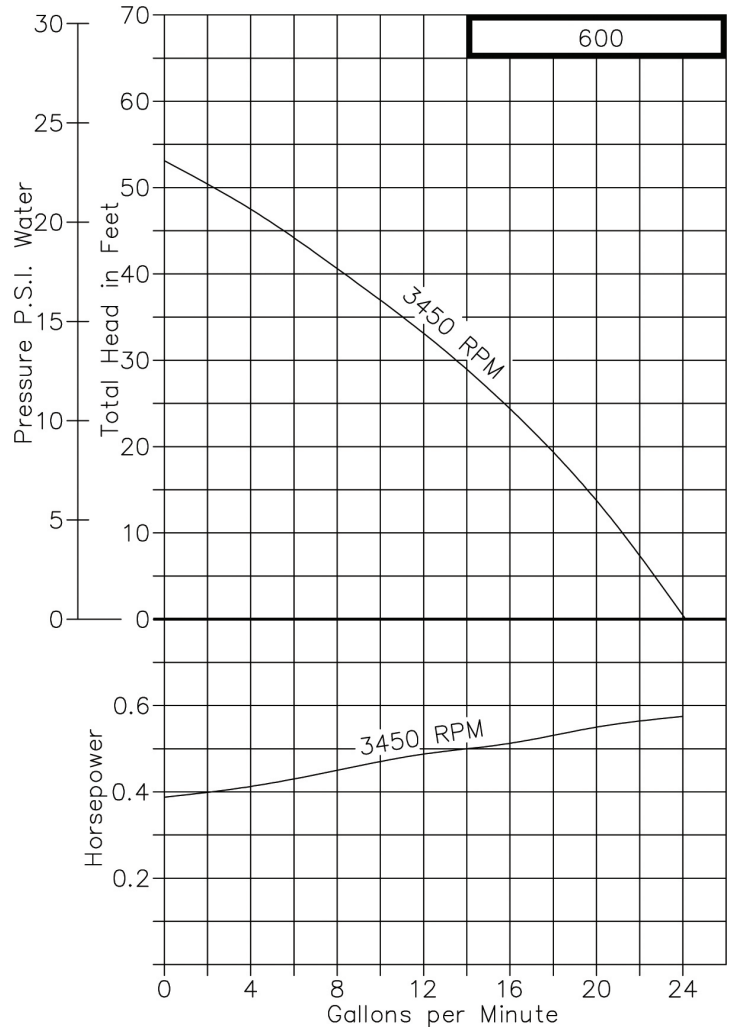
- Rugged bronze construction
- A standard in the marine air conditioning industry
- Extremely quiet operation
- O-ring housing seal eliminates gasket problems
- Handles contaminated liquids
- Discharge port orientation flexibility
- Mechanical seal - carbon/ceramic
 - NBR, FKM, or PTFT options
- Pump heads mount to standard footed NEMA 56J jet pump motors
- Shafts: 416 Stainless
- Multiple motor options available
- For marine version - see Model 104M
- For pedestal style version, see Model 60P

LIQUIDS:

The special pump alloys used provide corrosion resistance to many liquids including water, water solutions, and a wide range of commercial chemicals. Questions as to the chemical compatibility of special liquids

PERFORMANCE:

Capacity - Water 70° F



should be referred to the factory.

Viscous liquids with a maximum viscosity of 2000 Saybolt Seconds Universal can be pumped. However, when pumping viscous liquids as compared with water, a reduction in flow and pressure occurs and the required horsepower rate increases.

Liquids heavier than water require additional horsepower in direct proportion to the increase in specific gravity. Liquids contaminated with small solids or abrasives can be handled, but a reduction in mechanical seal life must be expected.

Bronze Close Coupled Centrifugal Pump

600 Series

CHARACTERISTICS:

This close coupled pump uses a standard NEMA C-Flange Jet Pump Motor with weld-on base and threaded shaft end to accept the pump impeller. Single phase motors are non-reversible and are wired for the proper pump rotation which is counter-clockwise looking at the inlet end of the pump. Three phase motors must be checked out for proper rotation when pump is installed. Interchanging of any 2 wires in a 3-phase system will reverse motor rotation.

The pump uses a mechanical type shaft seal with a NBR rubber element. It is suitable for water, oils, and some mild solvents. It is limited to 212° F and 75 PSI. FKM seals and PTFE seals are available for severe solvents and difficult chemicals.

These centrifugal pumps are not self-priming. They must be installed below the liquid level so that the liquid flows to the pump by gravity (flooded suction). However, if a foot valve is used at the beginning of the suction line and all air is bled from the pump by manual priming, the pump will lift on the suction side up to 15 feet. Such a system relies entirely on a non-leaking foot valve for starting capability.

The flow of a centrifugal pump can be conveniently controlled by a throttling valve in the discharge line without the need for a relief valve. In centrifugal pumps, the horsepower demand will decrease as the pressure increases. Maximum horsepower occurs with a wide open discharge.

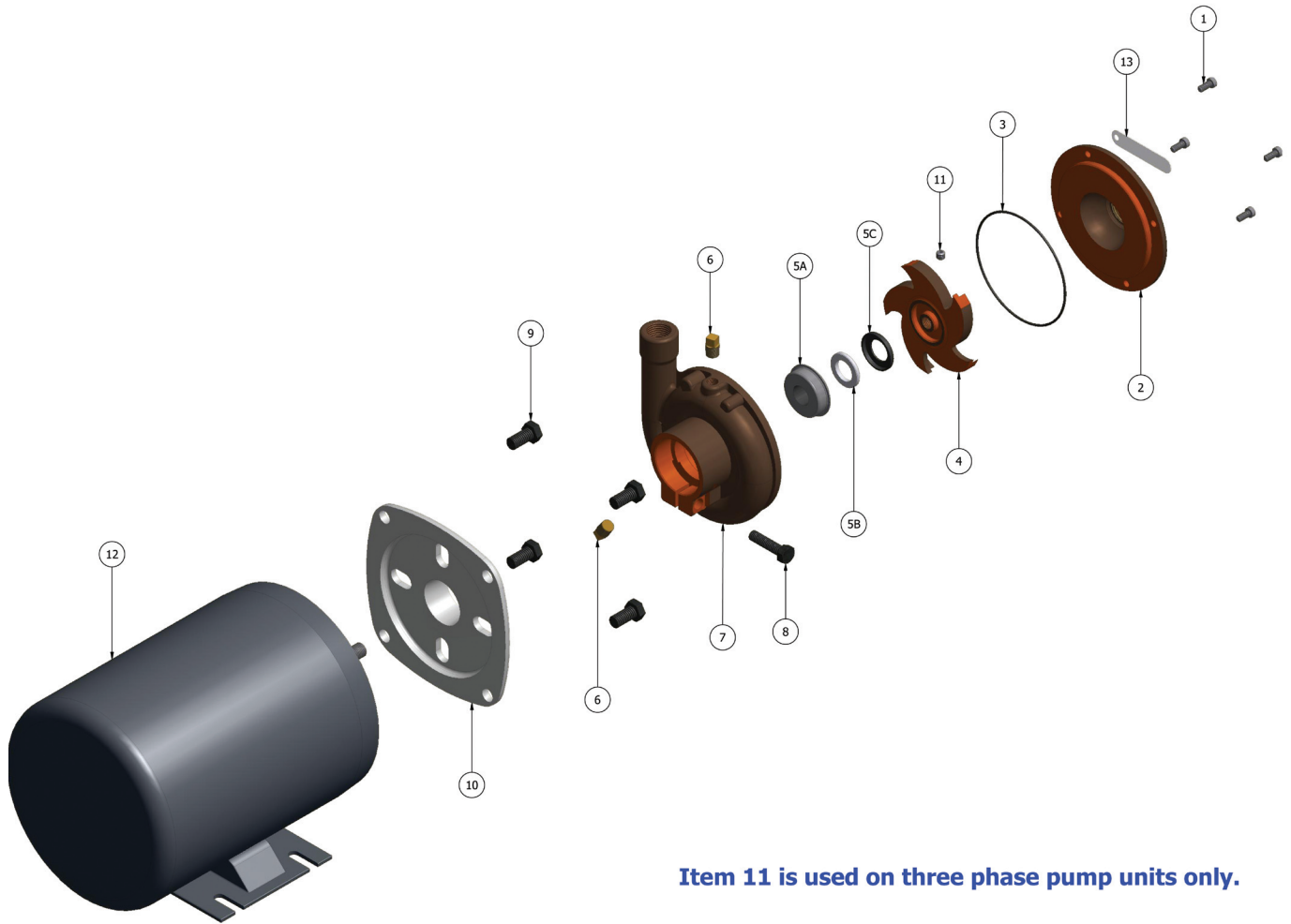
Parts List

	1	2	3*	4*	5a*	5b*	5c*	6
	Screw	Cover	O-Ring	Impeller	Seal Head	Seal Wearface	Seal Seat or O-Ring	Plug
Model	Qty. 4	Qty. 1	Qty. 1	Qty. 1	Qty. 1	Qty. 1	Qty. 1	Qty. 2
600	5385	5168-2	9797-043	5219	2913	529201		6052
600P	5385	5168-2	9797-043	7201	2913	529201		5395
600S-10	5385	5168-2	9797-043	6033	6141	6142	6143	6052
600PS-10	5385	5168-2	9797-043	7432	6141	6142	6143	6052
600S-11	5385	5168-2	9355-043	6033	32211			6052
600PS-11	5385	5168-2	9355-043	7432	32211			6052

	7	8	9	10	11*	12	13	Repair Kit
	Body	Screw	Screw	Adapter	Set Screw	Motor	Name Plate	
Model	Qty. 1	Qty. 1	Qty. 4	Qty. 1	Qty. 1	Qty. 1	Qty. 1	
600	7515-2	5595	5411	7611	NA	See Chart	7736	10696
600P	7515-2	5595	5411	7611	9849	See Chart	7736	10858
600S-10	7515-2	5595	5411	7611	NA	See Chart	7736	10814
600PS-10	7515-2	5595	5411	7611	9849	See Chart	7736	12175
600S-11	6173-2	5595	5411	7611	NA	See Chart	7736	10768
600PS-11	6173-2	5595	5411	7611	9849	See Chart	7736	11747

* Repair kit contains items 3, 4, 5 (5a, 5b, 5c), & 11

Exploded View



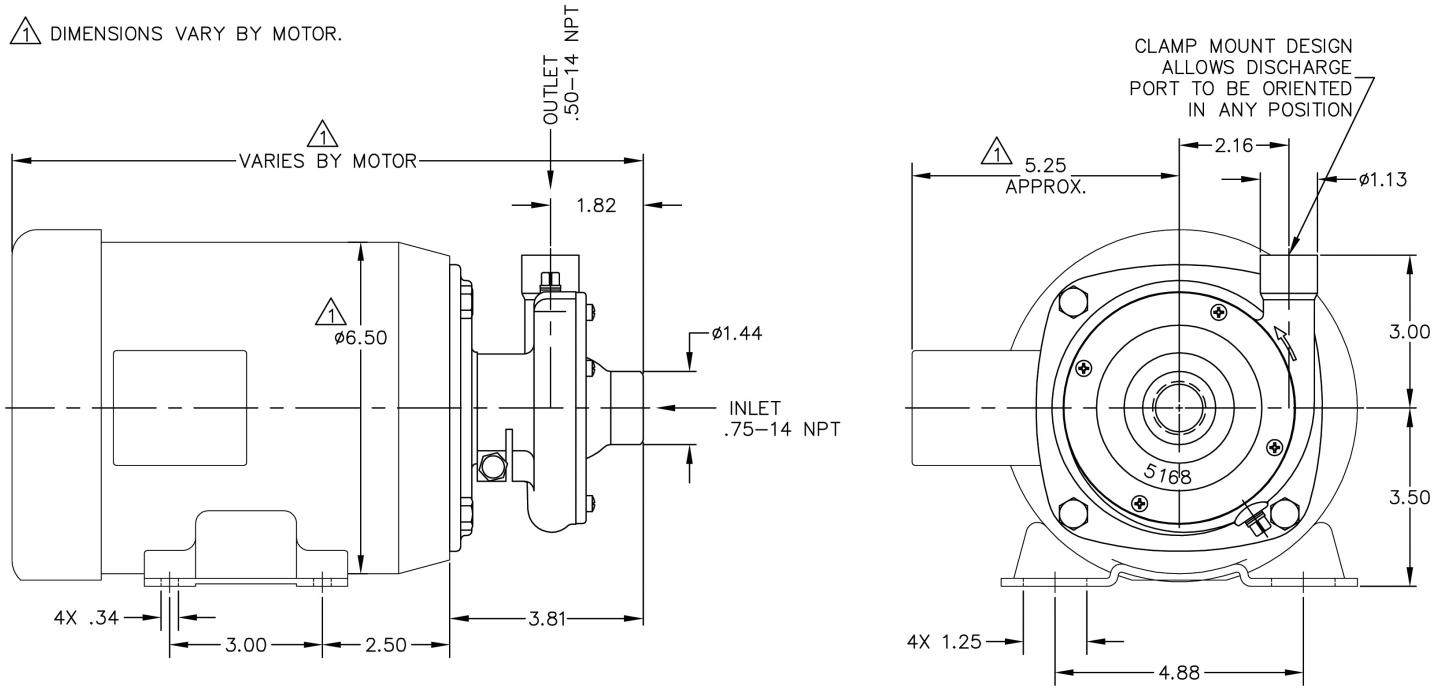
Item 11 is used on three phase pump units only.

Bronze Close Coupled Centrifugal Pump

600 Series

Dimensions

⚠ DIMENSIONS VARY BY MOTOR.



Model	Motor	Motor Specs	Motor Item 12
600, 600S-10, 600S-11	F13	1/3 HP, 3450 RPM, 115v, Single, ODP	5859
600	F19	1/3 HP, 3450 RPM, 115/230v, Single, ODP	7957
600	F20	1/3 HP, 3450 RPM, 115/230v, Single, TEFC	7986
600	F21	1/3 HP, 3450 RPM, 115/230v, Single, XP	8214
600	F22	1/3 HP, 2850 RPM, 115/230v, Single ODP	9758
600, 600S-10, 600S-11	J19	1/2 HP, 3450 RPM, 115/230v, Single, ODP	5860
600, 600S-10, 600S-11	J20	1/2 HP, 3450 RPM, 115/230v, Single, TEFC	7976
600P, 600P-S10, 600PS-11	F57	1/3 HP, 3450 RPM, 220/440v, Three, ODP	6996
600P	M57	3/4 HP, 3450 RPM, 220/440v, Three, ODP	6999
600P, 600P-S10, 600PS-11	M58	3/4 HP, 3450 RPM, 220/440v, Three, TEFC	7967
600P-S10, 600PS-11	F58	1/3 HP, 3450 RPM, 220/440v, Three, TEFC	7987
600P, 600P-S10, 600PS-11	J58	1/2 HP, 3450 RPM, 220/440v, Three, TEFC	9214

NBR = Acrylonitrile-Butadiene PTFE = Polytetrafluorethylene FKM = Fluoroelastomer



OBARDORFER PUMPS
by Gardner Denver

5900 Firestone Drive, Syracuse, NY 13206
Phone: (800) 448-1668; (315) 437-0361 • Fax: (315) 463-9561

Visit www.oberdorferpumps.com to find in-depth descriptions of the world's leading high-quality, dependable pumps.

Due to ongoing product improvements, data shown here is subject to change without notice. Contact Oberdorfer Pumps for latest specifications.